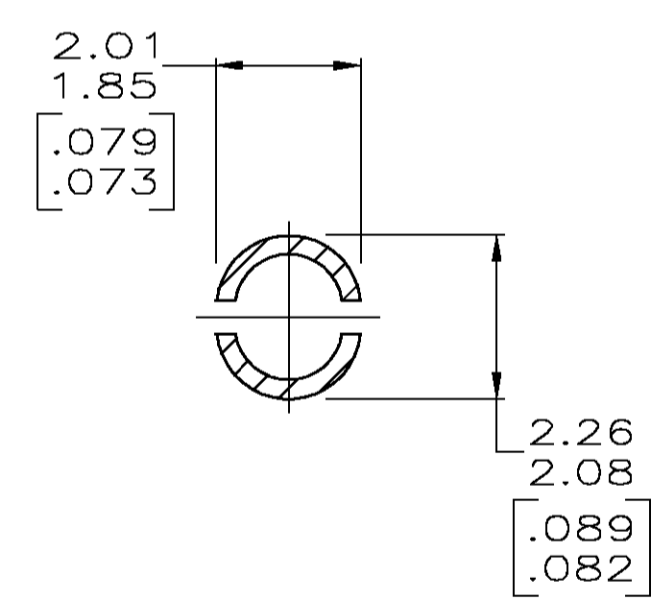
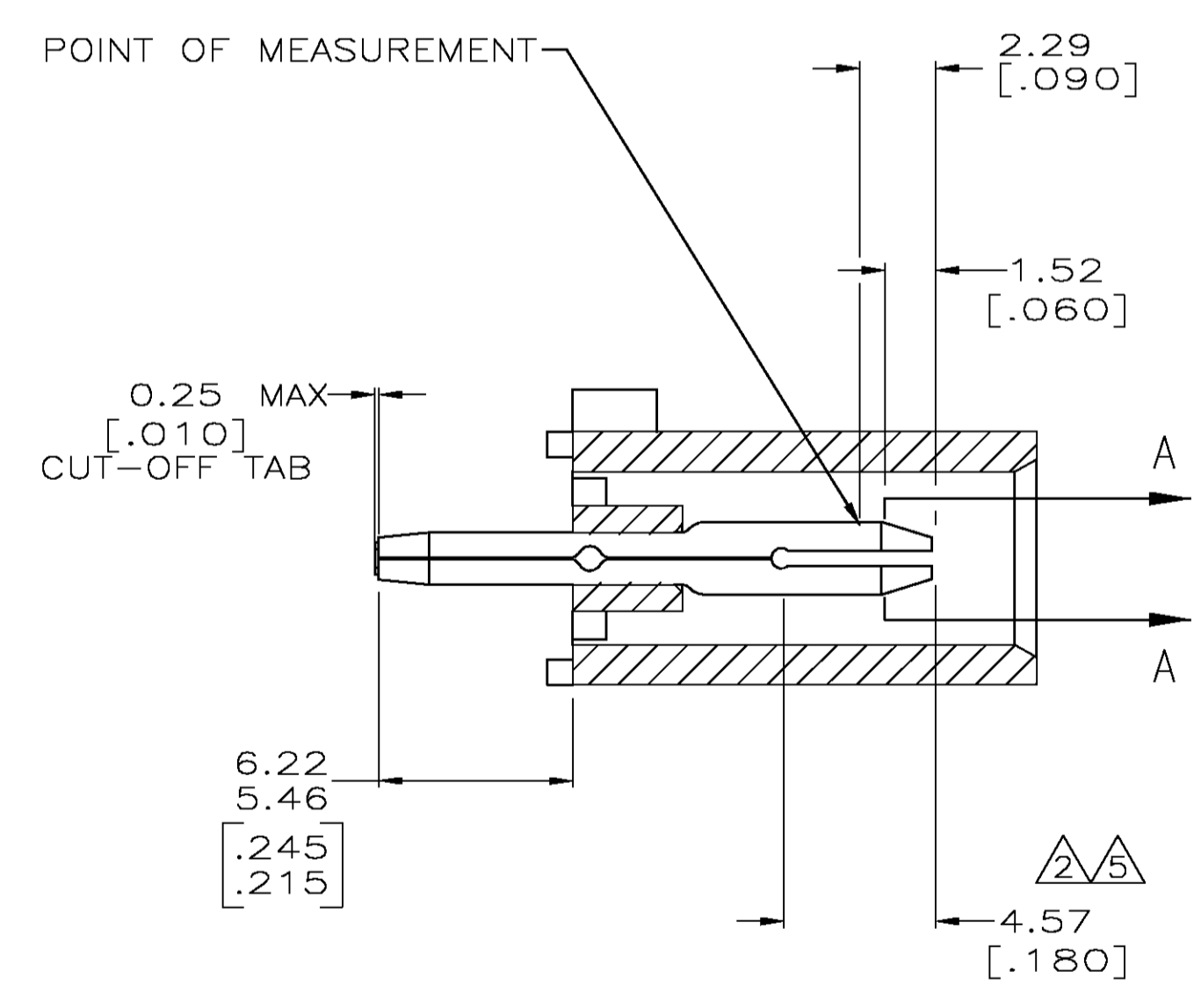
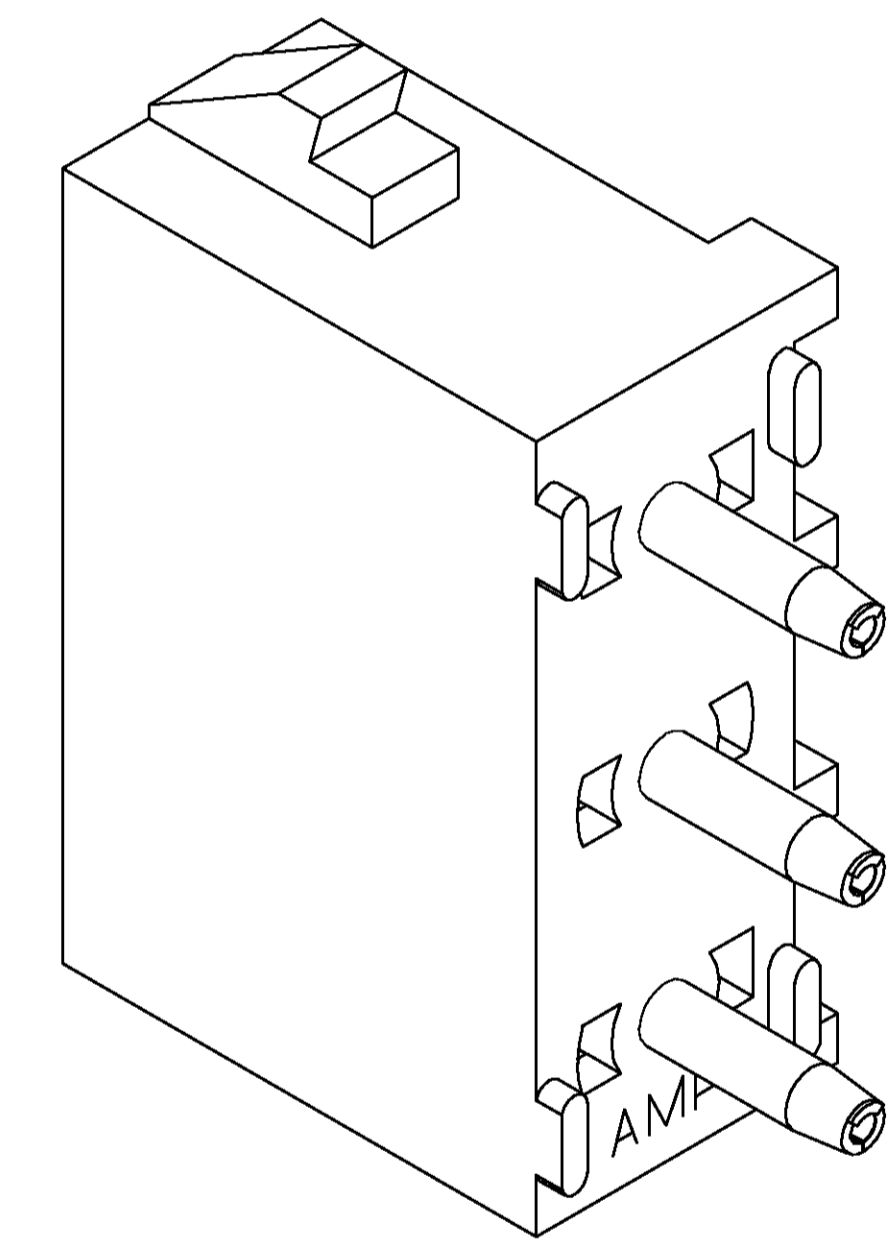


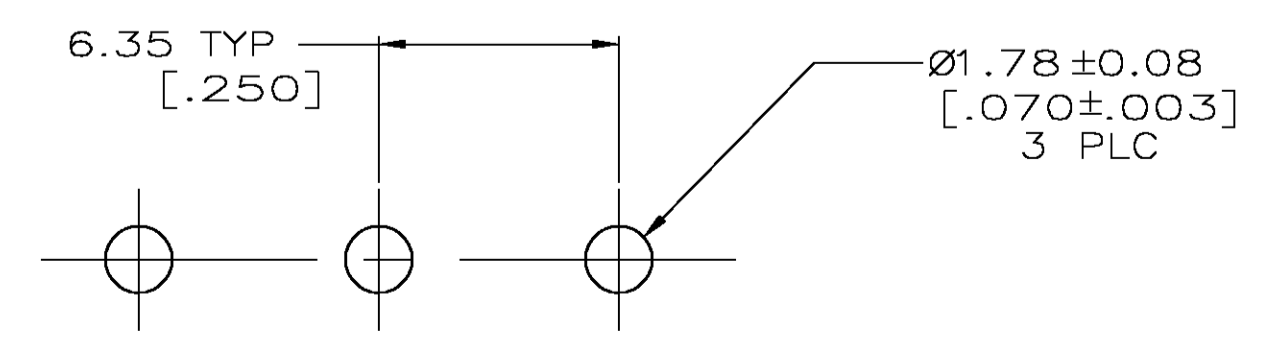
- PARTS COMPLY TO AMP SOLDERABILITY SPECIFICATION 109-11-3.
- CONTACT IS PLATED OVERALL WITH 0.00127 [.000050] NICKEL, THEN 0.00076 [.000030] GOLD OVER CONTACT LENGTH INDICATED AND MATTE TIN LEAD ON SOLDER TAIL END.
- CIRCUIT IDENTIFICATION CHARACTERS ARE ADJACENT TO THE INDICATED CAVITIES, BUT LOCATION AND ORIENTATION MAY DIFFER FROM PRINT.
- DIMENSIONS IN BRACKETS ARE IN INCHES.
- CONTACT IS PLATED OVERALL WITH 0.00127 [.000050] NICKEL, THEN 0.00076 [.000030] GOLD OVER CONTACT LENGTH INDICATED AND MATTE TIN ON SOLDER TAIL END.



SECTION A-A
SCALE 10:1

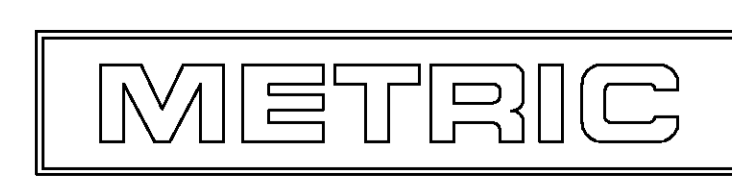


3-DIMENSIONAL MODEL
NTS



RECOMMENDED MOUNTING HOLE PATTERN
FOR 3.18 [.125] THICK P.C. BOARD

PHOSPHOR BRONZE, GOLD	NYLON, UL94V-0, WHITE	350790-3
PHOSPHOR BRONZE, GOLD	NYLON, UL94V-0, WHITE	350790-2
PHOSPHOR BRONZE, PRE-TIN	NYLON, UL94V-0, WHITE	350790-1
PIN CONTACT MATERIAL AND FINISH	HOUSING MATERIAL	PART NUMBER



THIS DRAWING IS A CONTROLLED DOCUMENT.

DIMENSIONS: mm [INCHES]	TOLERANCES UNLESS OTHERWISE SPECIFIED: 0 PLC ± - 1 PLC ± - 2 PLC ± 0.13 [.005] 3 PLC ± - 4 PLC ± - ANGLES ± 0.30°	APVD M. TRULL PRODUCT SPEC	APVD R. SWING PRODUCT SPEC	APVD M. TRULL PRODUCT SPEC	APVD R. SWING PRODUCT SPEC
MATERIAL SEE TABLE	FINISH SEE TABLE	WEIGHT -	SIZE A1	SCALE 5:1	SHEET 1 OF 1

CUSTOMER DRAWING

TYCO Electronics Tyco Electronics Corporation Greensboro, NC 27409

PIN HEADER ASSEMBLY, 3 CIRCUIT UNIVERSAL MATE-N-LOK™

SIZE: A1 00779 C=350790

RESTRICTED TO